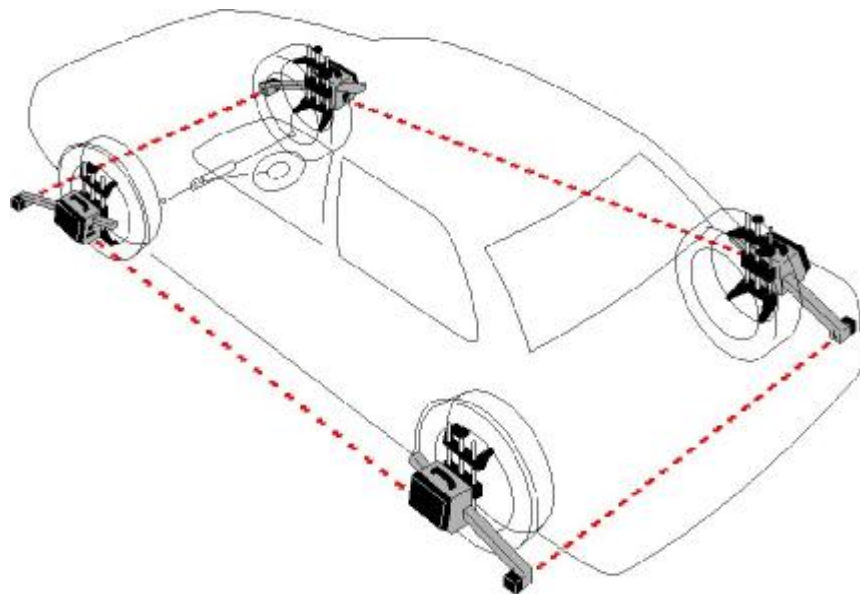


OPTO-PLUS 618i Computer Wheel Aligner

The 8-sensor "Around the Car" measurement optimises 4-Wheel alignment



The OPTO-PLUS 618i is a new generation of Wheel Aligner. All angles are measured by means of the 8-sensor CCD camera system with a measuring range of +/- 25 degrees - we call it 20/20 vision. No electronic turntables are needed since the caster swing is measured at 10, 14 or 20 degrees for high accuracy by use of the CCD camera.

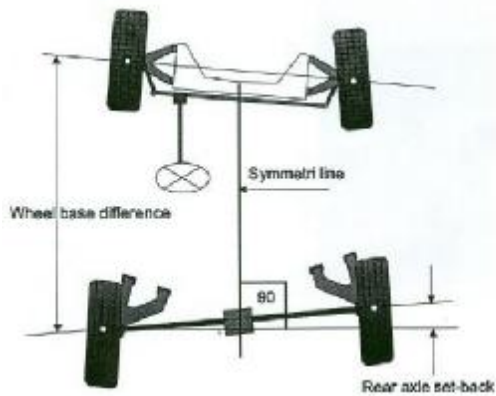
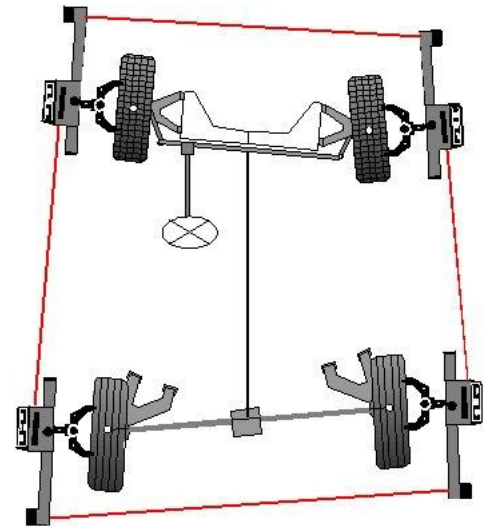


“Around the Car” measurement

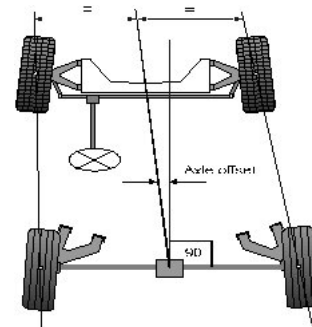
The Quattro measurement system has 8 Toe-sensors so the vehicle is framed on all four sides.

It is therefore possible, besides all Toe angles, also to measure Rear Axle Setback, Side Offset, Axle Offset and Wheel Base.

Also a continuous check of the accuracy is performed.



Rear Wheel Set-Back

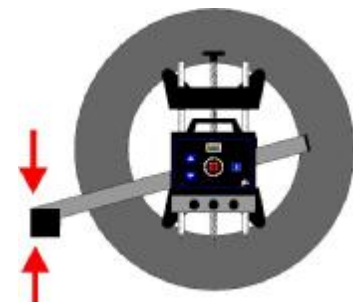
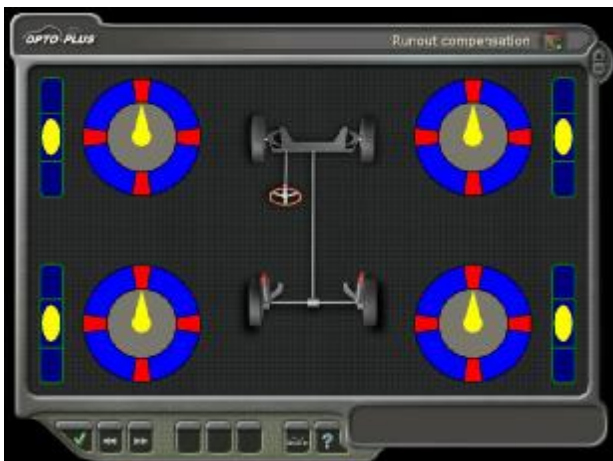


Axle offset

Assures that compensation for Run-Out is performed continuously. Even when the wheels are rotating after compensation is done all angles is measured correctly. During compensation the level is shown on-screen.

Electronic Level

Displays the level on-screen and also on the measuring head. This assures that faults in the operation are avoided.





The Operator program

The software is a very important feature of the wheel aligner – OPTO-PLUS stands for simple design and easy to operate – therefore the OPTO-Win (software for OPTO-PLUS wheel aligners) is simple in design and very easy to use. The OPTO-Win offers a simple procedure that all mechanics can operate after a 5-minute introduction. Even mechanics that has tried the OPTO-Win once and returning after 3 months without operation can operate the software.

Important features:

- Databank with more than 10.000 specifications. Changes in existing data or data for an unlimited number of new cars can be typed in via the keyboard.
- Program and data are stored on a hard disk. The database is updated via the CD ROM drive.
- Adjusting of Camber and Caster with the cars in lifted up position so it is easier to adjust specific car models.
- Customer databank with complete records of earlier measurements.
- Measurements result from before and after adjustment.
- Casterswing on 10° , 14° and 20° can be selected.
- Equipment can be controlled from all 4 measuring heads.
- On-line Pop-Up Help for all measurement and system functions.

Measurements and adjustment illustrated in Super VGA colour



All measuring data and specifications from before and after adjustment on one screen.



Full overview of adjustment possibilities.

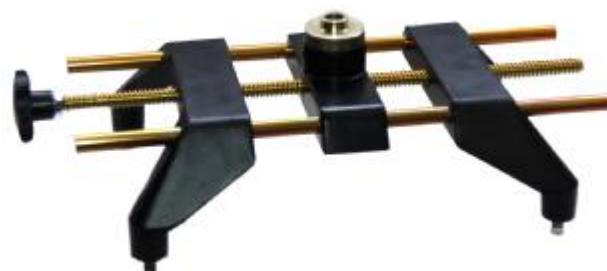
Tables and illustrations for dynamic input of information.



CCD cameras measure up to +/- 20 degrees – no electronic turntables is needed.
Cast measurement page is one page with a flexible way of measuring caster and king-pin.

As an important option a Platform Brake- and Suspension tester can be combined with the wheel aligner. It shares the PC platform with the wheel aligner. Delivered as a kit with colour printer. Can be connected directly to the cabinet.

Clamp



Self centring clamps for wheels up to 19".

Optional Quick Clamp Adaptor for clamping directly on the tire for protection of the rim or when Compensation should be avoided.

- Quick clamps also available

Distributor: